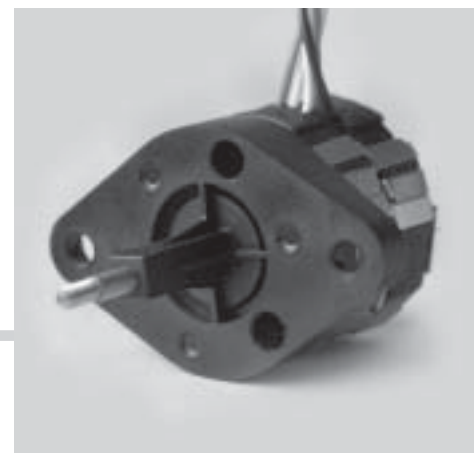




Motor Series **MTS3L**

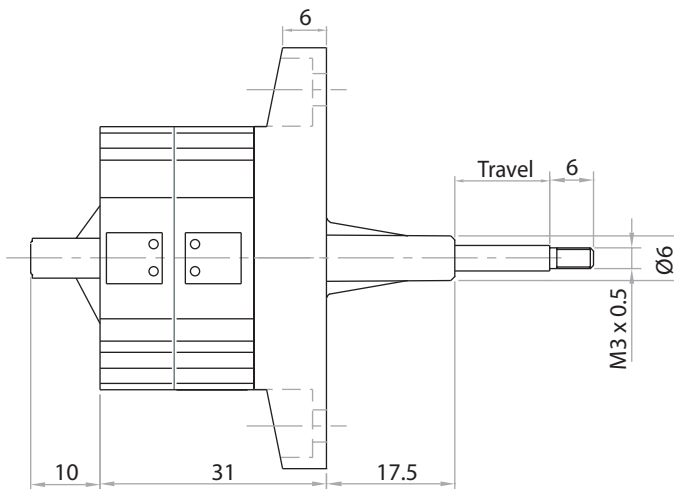
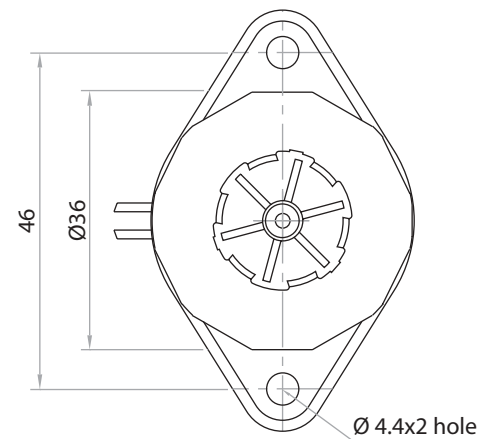
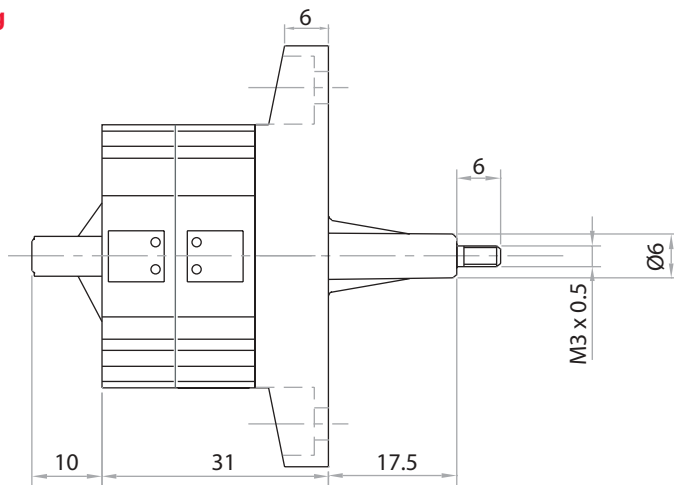
Linear Stepper Actuator - 0.033/0.0417/step



Technical Data

Steps per revolution		24			
Winding Type		bipolar			
Rated Voltage	V	3	6	12	24
Resistance per winding	Ω	11.5	18.5	100	460
Winding Type		unipolar			
Rated Voltage	V	3	6	12	24
Resistance per winding	Ω	12	28.5	120	500
Axial Force	kg	1.0 (can be increased for special winding)			
Max force	kg	3.5			
Travel per step	mm	0.033/0.041			
Travel speed by 200Hz	mm/s	8, 13 mm (other on request)			
		6.67/8.33			

Drawing



Ordering Data (eg.)

13M C D3 P R

- Direction -Reversible
- Mounting -with mounting plate
- Voltage - 6 V DC
- Approval - CE marked
- Motor -MTS3L (unipolar)