

# Motor Series **MT6**



## Uni-Directional Synchronous Motor - 600 RPM

### Application

Instrumentation, diamond machinery, peristaltic pumps, motorised displays, programming devices, cam timers, medical equipment.

### Design

MT6 is a unidirectional synchronous motor. The direction of the motor is either cw or ccw which is fixed with help of reversing stopper while manufacturing. This non reversing device also guarantees at all times starting in the desired direction with high starting torque. The motor consists of a cylindrical sheet iron stator which form the poles.

Mounted on the hardened and highly polished rotor shaft is a high coercivity sintered magnet ring around whose circumference 10 poles of alternate polarity are disposed. Special version of motor without the non reversing device is also available. In this case the motor can start in any direction. Motor can be provided with screw clip for fixing.

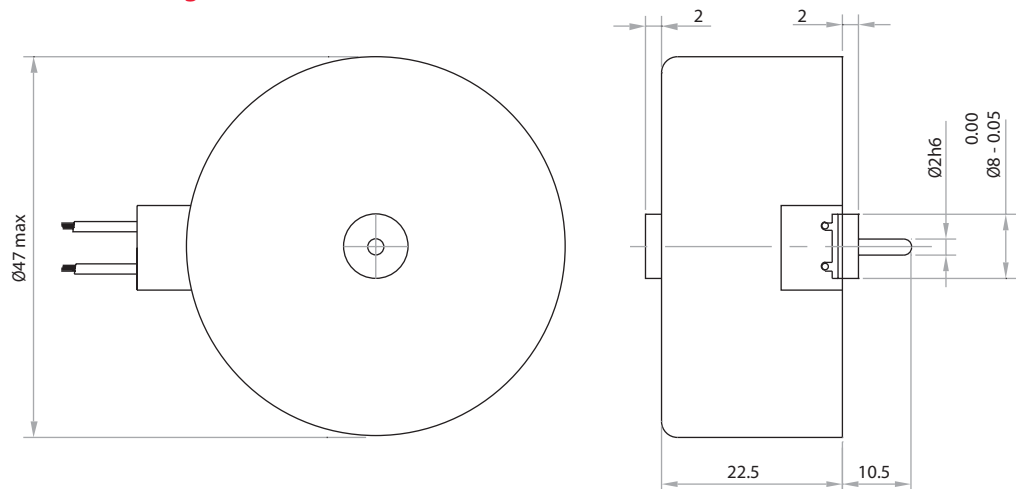
### Standard Data

Motor type		Uni directional synchronous; with mechanical anti return device
Ambient temperature operation	°C	-15...+55
Ambient temperature storage	°C	-20...+100
Thermal class	°C	105
Electrical Enclosure	IP	40
Connections		Flexible Leads 26 AWG, 200mm length; ends stripped
Life expectancy		3 years in continuous operation
Mounting		any position
HVT		2.0 KV (motor voltage > 40V) or 0.6 KV (motor voltage < 40V) for 1 min.
Weight	g	132
Rotor stalling		Motor can be stopped when voltage is applied, without being overheated
Rotor shaft		Hardened steel, ground and polished
Bearings		Poly Acetal
External dimensions		dia. 47 x 22.5 mm

### Technical data

Standard Motor Voltages	V	12, 24, 110, 220 & 240..... (others on request)	
Tolerance of voltage	%	-10...+15% of rated voltage	
Duty cycle	%	100	
<b>Rated frequency</b>	<b>Hz</b>	<b>50</b>	<b>60</b>
Power output at rated voltage	W	0.77	0.87
Speed	rpm	600	720
Running torque at rated voltage	N-cm	0.5	0.5
Power consumption at rated voltage	W	2.5	2.7

### Motor Drawing



### Ordering Data (eg.)

