

Gear Series **GBC**

Spur Reduction Gearhead - 0.5 Nm



Design

The gearhead GB C is a spur reduction gearhead with 37mm OD & OFF centre shaft meant specially for DC motor with diameters up to 36 mm. It has a possibility of 2 to 8 stage reduction with initial stages are poly-acetal gears & final stages will be steel sintered .All bearings are permanently lubricated & therefore require no maintenance. Motor is attached to gear box by means of screws. The nominal torque rating for this gearhead is 0.5 Nm with peak torque range up to 0.8 Nm. This gearhead has been categorised in 3 different housing sizes as per gear reduction for 4 , 6 & 8 stages.

Technical Data

Gear Type		Spur Reduction(1st pair helical)
Gear Torque	Nm	0.5
Combination with Mechtex motors		DC24 / DC28 / D32 / DC30* / DC38* others on request
Mounting		any position ; preferably with shaft horizontal
Weight	g	Variable with reduction stages (180 approx)
Axial thrust	N	15
Lateral force	N	50
Radial torque	Nm	0.6
Output bearing		Sintered Bronze
Output shafts	Ø	dia.6 x 15.3 mm (with a flat)
Ambient temperature operation	°C	-15...+ 55
Enclosure	IP	30

Transmission Ratios

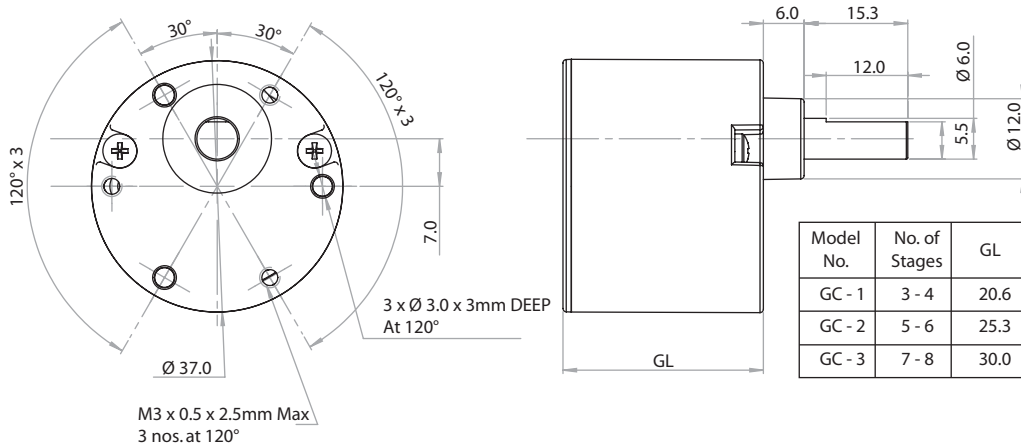
GC-1 - 5.54*, 9.5, 13.85*, 23.75, 34.64*, 59.38

GC-2 - 86.59*, 148.38, 216.47*, 371.1

GC-3 - 541*, 927.7, 1352.95*, 2319

* Possible to mount DC30 / DC38 motors with these ratios only.

Dimensional Drawing



Photographs

